

作成承認印

配布許可印



AF240SV

FCA43001

AF240SV
QUARTZ DATE

FCA43201

Fun Touch 6

FCA43101

Fun Touch 6
QD/SELF

FCA43301

PARTS LIST

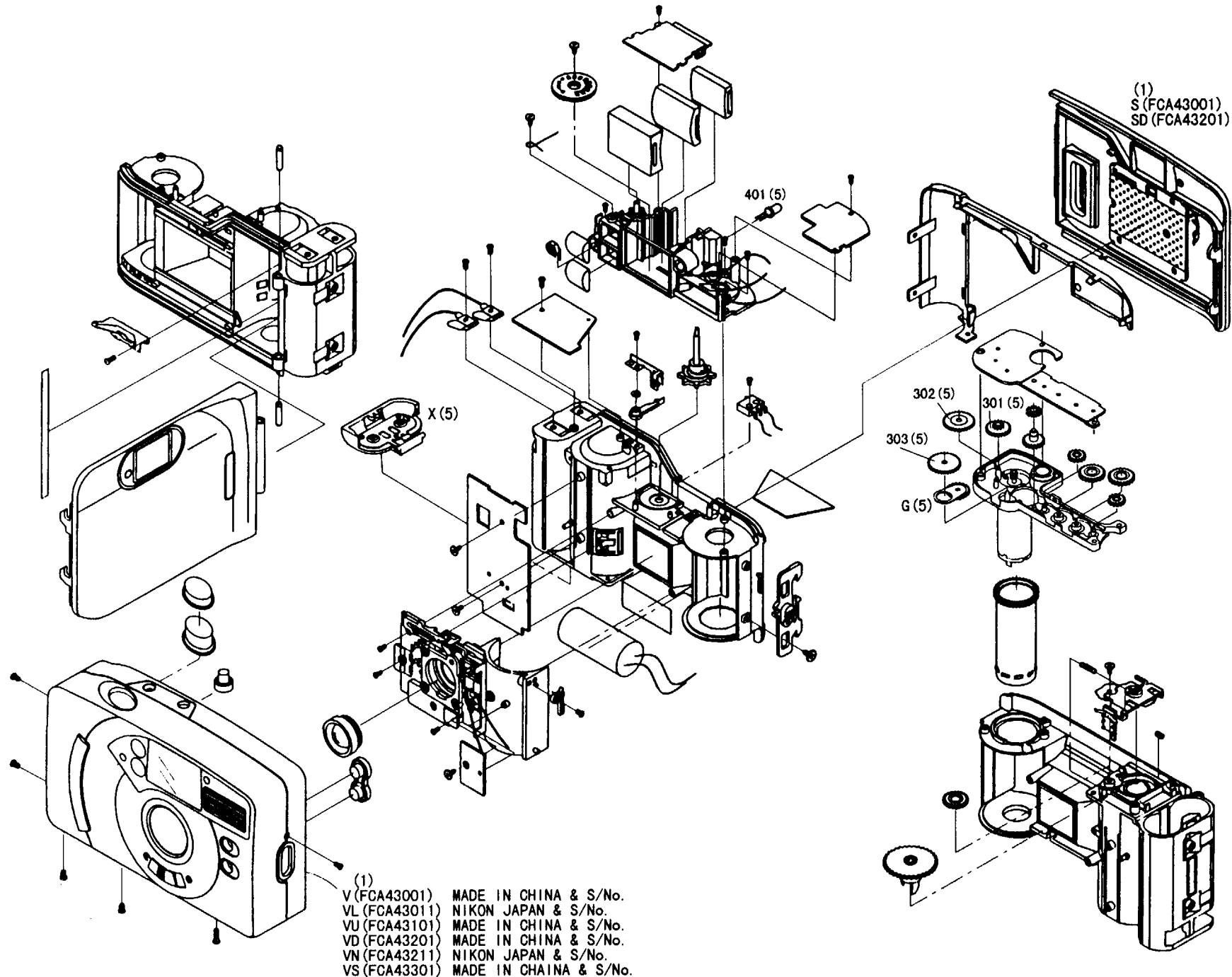
修理部品表

Nikon | NIKON CORPORATION
 Tokyo, Japan

Copyright © 1999 by Nikon Corporation.

All Rights Reserved.

無断転載を禁ず!!



部品表 Parts List

FCA43001-R. 3471. A

部品番号 Part No.	補助番号 Ckt No.	名称 Name	1台分 個数 Pcs. Per Unit	部組品番号 Assembly No.	参照 図番 Fig. No.	販売区分 Term of Delivery	備考 Remarks	要求単位 Q'ty per order
301 (FCA43001-301)		モーターギア1 MOTOR GEAR 1	1		1	○		5
302 (FCA43001-302)		モーターギア2 MOTOR GEAR 2	1		1	○		5
303 (FCA43001-303)		モーターギア3 MOTOR GEAR 3	1		1	○		5
401 (FCA43001-401)		赤目ランプ RED-EYE REDUCTION LAMP	1		1	○		5
G (FCA43001-G)		遊星ギア部組 PLANETARY GEAR UNIT	1		1	○		5
S (FCA43001-S)		裏蓋部組 CAMERA BACK UNIT	1		1	○		1
V (FCA43001-V)		前カバー部組 FRONT COVER UNIT	1		1	○	MADE IN CHINA & S/NO.	1
X (FCA43001-X)		電池蓋 BATTERY CHAMBER UNIT	1		1	○		5

SPECIFICATIONS

TYPE OF CAMERA

Type: 35mm lens-shutter camera

Picture Format: 24mm x 36mm

LENS

Focal distance: 28.5mm

Brightness: F5.6 (F-number: F5.6)

Construction: 3 groups 3 elements

Shooting distance: 1m to infinity

EXPOSURE

Shutter type: behind-the-lens mechanical shutter

Shutter speed: 1/100 sec. fixed

ISO rating: ISO 100/200, 400

Photo-electric element: cds

Aperture: F5.6 fixed.

FINDER

Method: Reverse-Galilean Albada bright-frame Finder

Frame coverage: 85 (-5/+10)%, at 3m

Diopter: -1 (at infinity)

Magnification: 0.63 x

FLASH

Automatic Flash at low brightness

Guide Number: 9(ISO 100: m/at 30 sec. after recharge completed)

Automatic Flash Level:

	ISO 100	ISO 400
FIRING	LV 10	LV 9
OFF	LV 12	LV 11

Red-Eye-Reduction function: built-in

Tungsten Lamp "ON" during a release button pushing half-way.

Display of completion of recharge:

Shown by green LED light positioned in the left side of a finder.

Recycling Time: approx. 6 sec.

POWER SOURCE

Power source: AA Battery (two pcs) in Alkaline (R6/LR6)

Operative Voltage: 2.4 to 3.2V

DIMENSIONS: (W x H x D)



Without data back 110mm x 67mm x 37mm

With data back 110mm x 67mm x 42mm

WEIGHT (body only, without battery)

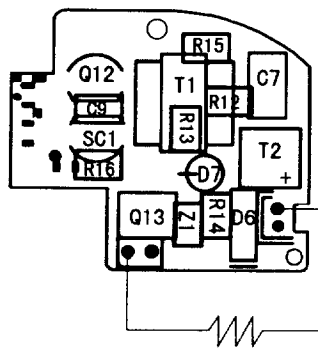
Without data back 155g

With data back 160g

 WARNING	
	<ul style="list-style-type: none"> • There are high voltage parts inside. Be careful of this electric shock, when you remove the cover. • You must discharge the main condenser according to the instruction of this repair manual after you remove the front cover.

[DISCHARGING OF THE MAIN CONDENSER]

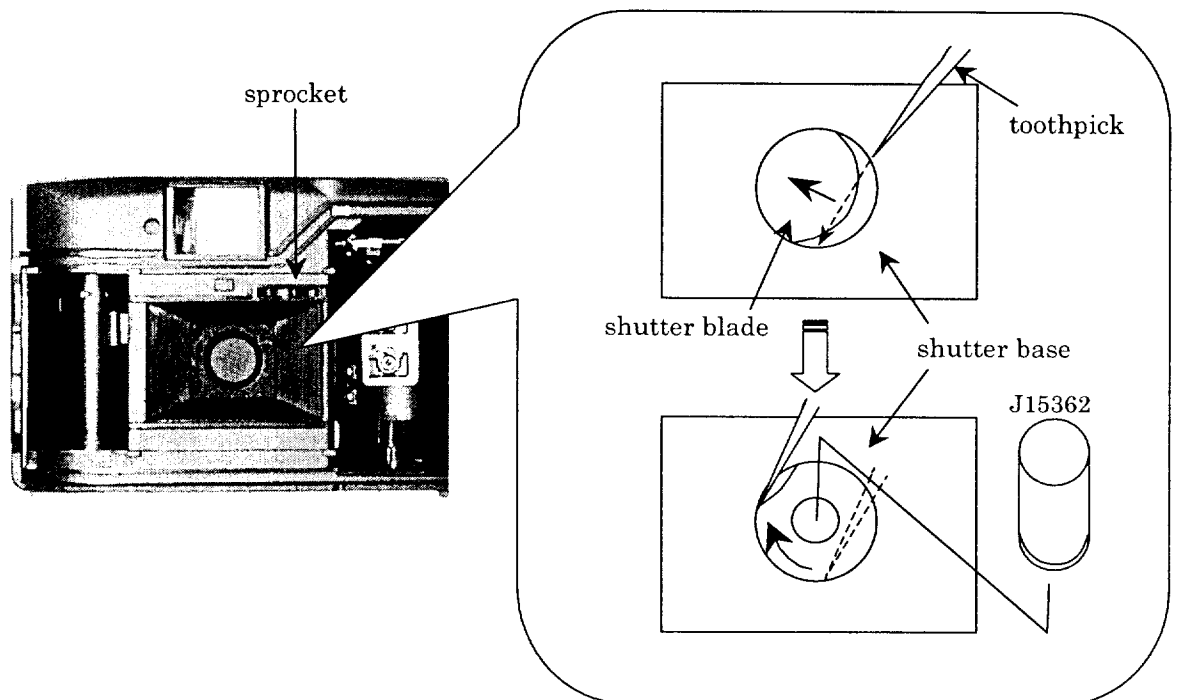
- Discharge the main condenser from both ends of flash tube or between the terminals of the main condenser.
- Use a discharge resistor of apporx. 2K Ω /5W.



Discharge resistor

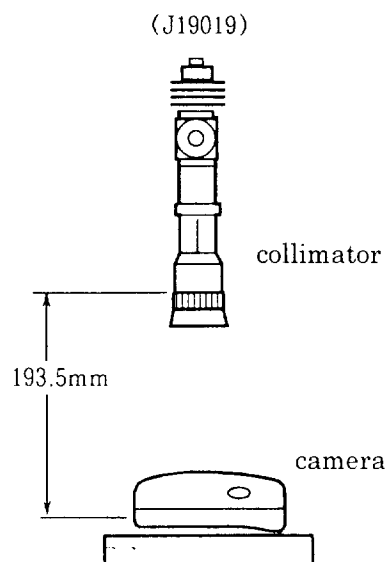
[CHECKING THE LENS BACK FOCUS]

- ① Remove a loaded battery from the camera.
- ② Open the rear cover, and advance a film frame or more by manually revolving the sprocket in the film advance direction.
- ③ Open the shutter blade with a finger stall-capped finger until a hole on the shutter base can be seen.
- ④ Insert a toothpick or so to the hole, and keep the shutter blade open.
 Note : In order to avoid scratching the lens, shift the toothpick along the edge of shutter base.
- ⑤ Put the **newly arranged tool J15362** in to the hole on shutter base, and then hook the open shutter blade to a groove of the tool. Then, its setup is complete.



- ⑥ Place a flat mirror on the internal rails.
 Then, using the collimator J19019,
 check the lens back focus.

Standard : -7.2 ± 3.1

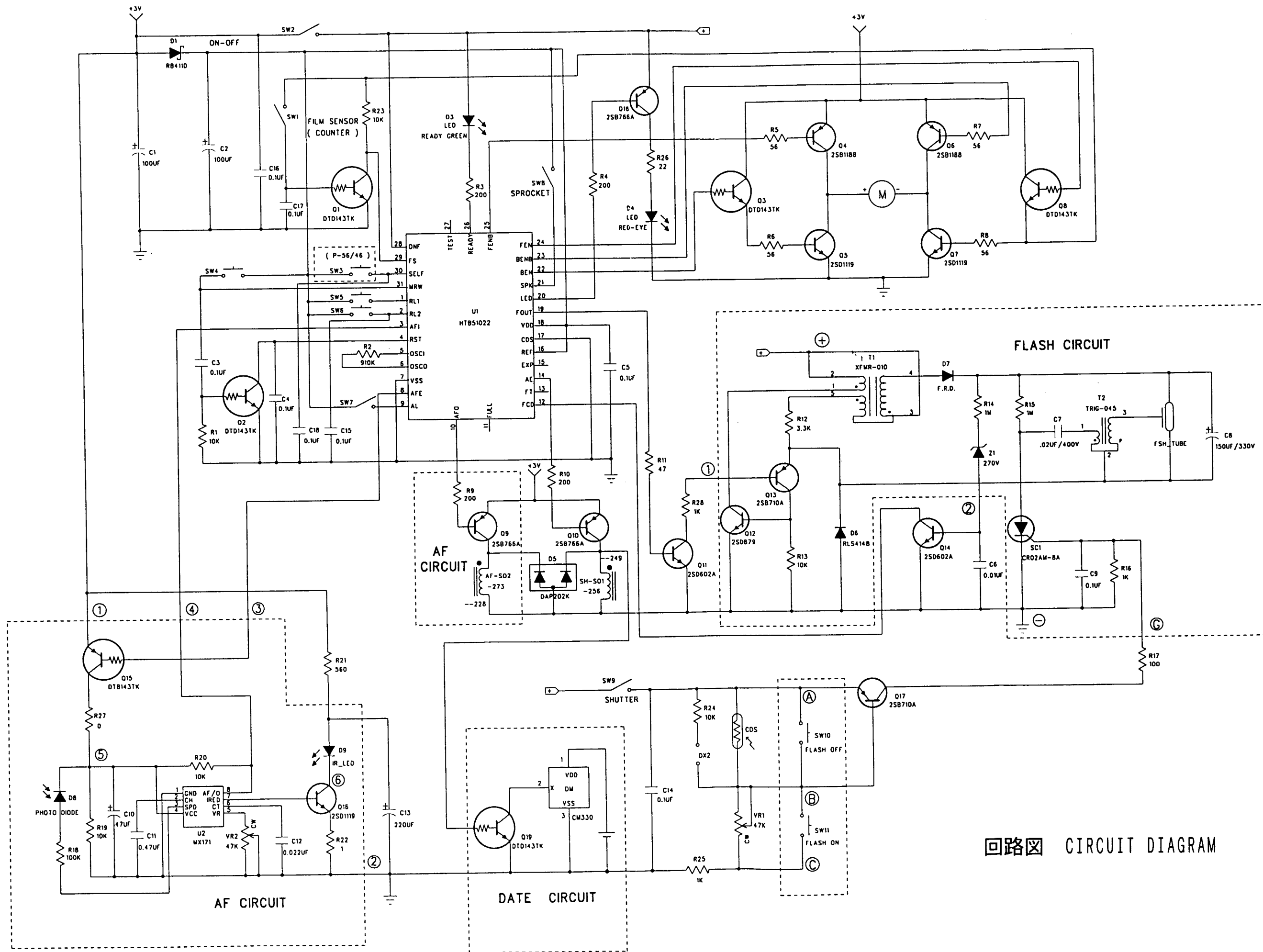


- ⑦ After checking, remove the tool J15362.



TROUBLE-SHOOTING

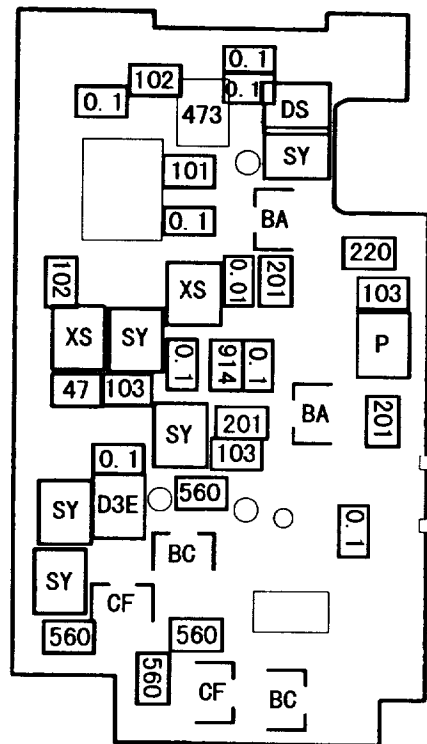
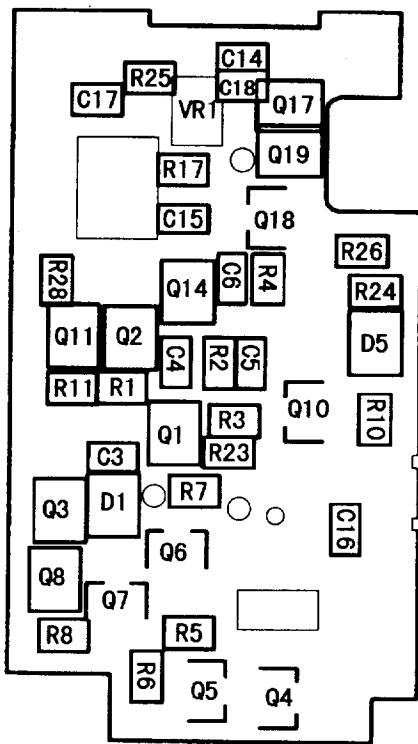
No.	Trouble	Cause & Solution	Remark
1-1	No charge	Check T1, Z1, D7, Q14, Q12, Q13, U1 pin19, main capacitor & related circuit.	
1-2	Flash doesn't light	Check Q17, C7, VR1, shutter switch, T2, SCR CDS, shutter action, tube & related circuit.	
1-3	The fill-in & flash off function fail	Check 3 way PCB & related circuit.	
2-1	Motor can't rotate in advancing direction	Check Q4, Q7, Q8, U1 pin25. 24, motor, gear system, rewinding leaf spring & related circuit.	
2-2	Motor can't rotate in rewinding direction	Check Q6, Q5, Q3, U1 pin23.22, motor, gear system, rewinding leaf spring & related circuit.	
2-3	Advancing fails and rewinding automatically	Check Q1, U1 pin29, film sensing switch, motor leaf spring, motor, gear system & related circuit.	
2-4	Auto advancing fails	Check leaf switch, U1 pin9, D1, power source & related circuit.	
2-5	Counter can't advance to "1"	Check sprocket cam micro switch, U1 pin21, kicker & related circuit.	
3-1	Camera no reaction	Check D1, leaf switch, power source & related circuit.	
3-2	Self-timer can't be actuated	Check U1 pin30.20, Q18, D4 & related circuit.	
4-1	AF system out of function	Check Q15, Q9, VR2, D9, D5, D8, C13, C10 Q16, U1 pin10.8.3, AF solenoid valve & related circuit.	
5-1	Shutter can't open	Check shutter blade switch, U1 pin 14, D5, Q10, AE solenoid valve & related circuit.	



回路图 CIRCUIT DIAGRAM

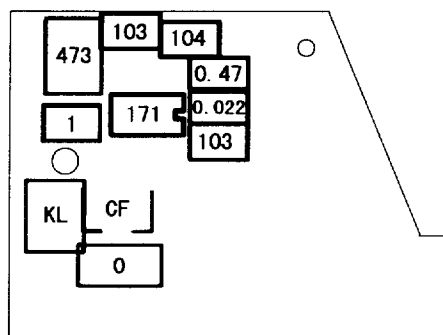
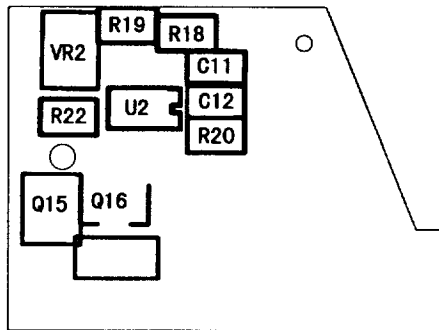
MAIN PCB

Name	Marks	Name	Marks
2SD602A	Q11/Q14	1K	R25/R28
2SB710A	Q17	10K	R1/R23/R24
2SD1119	Q5/Q7	22	R26
2SB766A	Q9/Q10/Q18	200	R3/R4/R9/R10
DTC143TKA	Q1/Q2/Q3/Q8/Q19	47	R11
2SB1188	Q4/Q6	910K	R2
DAP202K	D5	0.1UF	C3/C4/C5/C14/C15/C16/C17/C18
RB411D	D1	0.01UF	C6
VR 47K	VR1		
56	R5/R6/R7/R8		
100	R17		
560	R21		



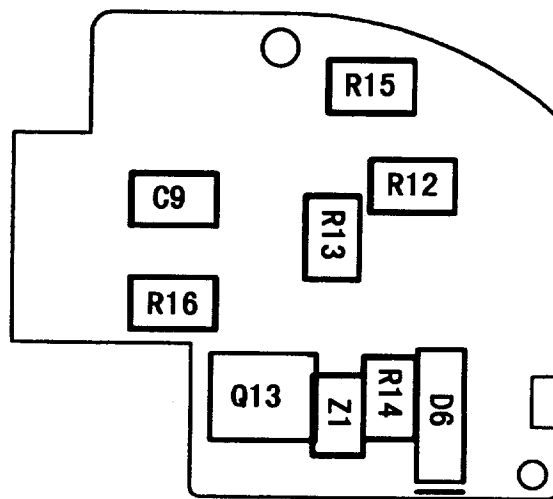
SELF TIMER PCB

Name	Marks	Name	Marks
MX171	U2	100K	R18
2SD1119	Q16	1	R22
DTA143TKA	Q15	0.022UF	C12
VR 47K	VR2	0.47UF	C11
0	R27		
10K	R19/R20		

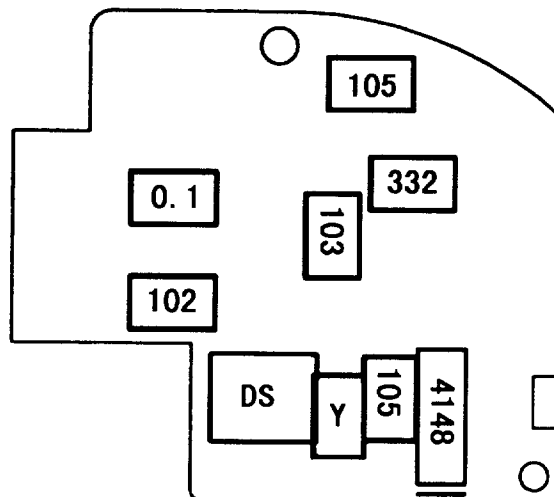


FLASH PCB

Name	Marks	Name	Marks
2SB710A	Q13	10K	R13
RLS4148	D6	1M	R14/R15
270V	Z1	0.1UF	C9
1K	R16		
3.3K	R12		



73437001



73437001