

A

B

1

2

3

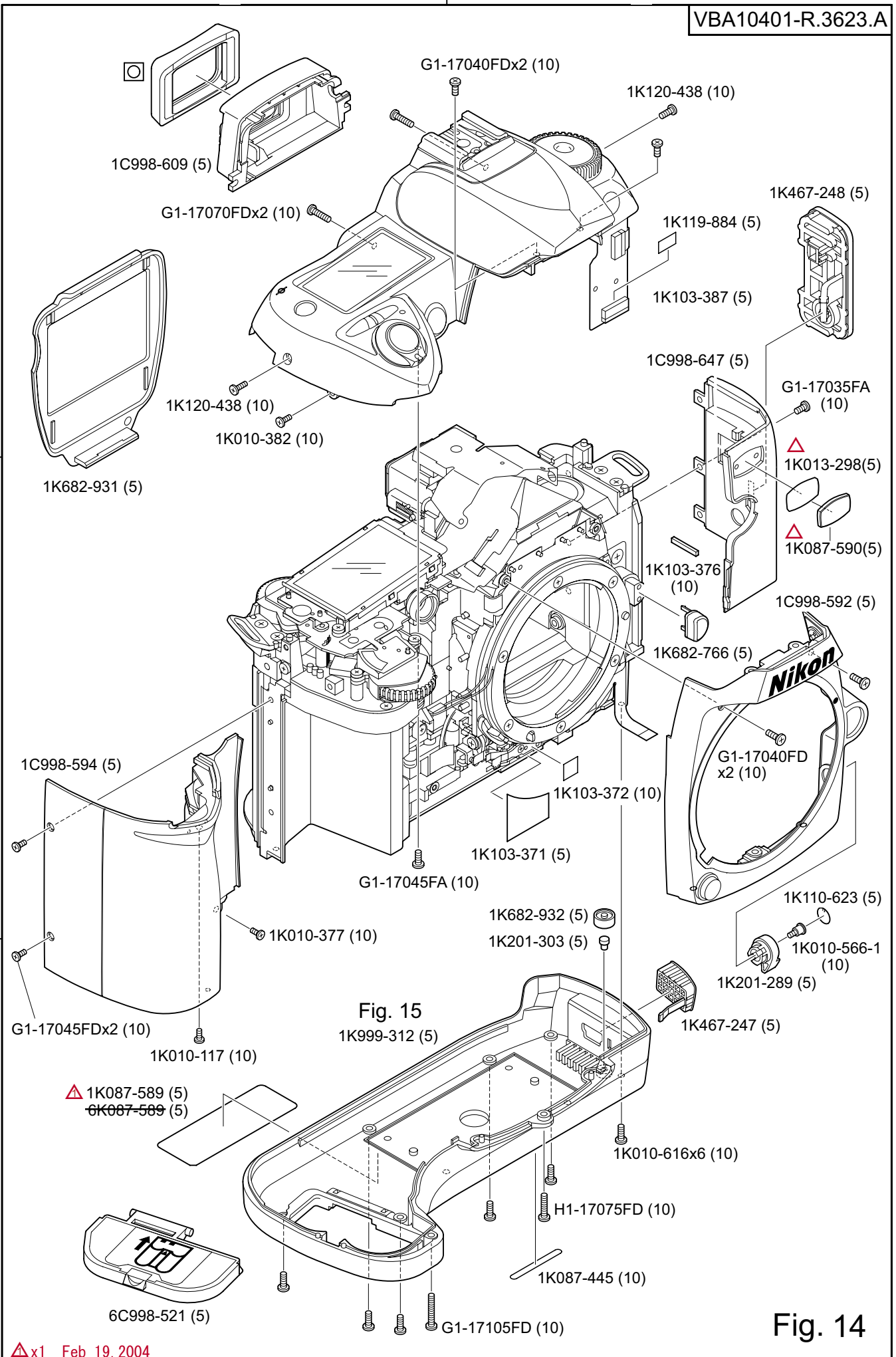


Fig. 14

△x1 Feb 19, 2004

△x2 Feb 6, 2004

A

B

VBA10401-R.3623.A

1

2

3

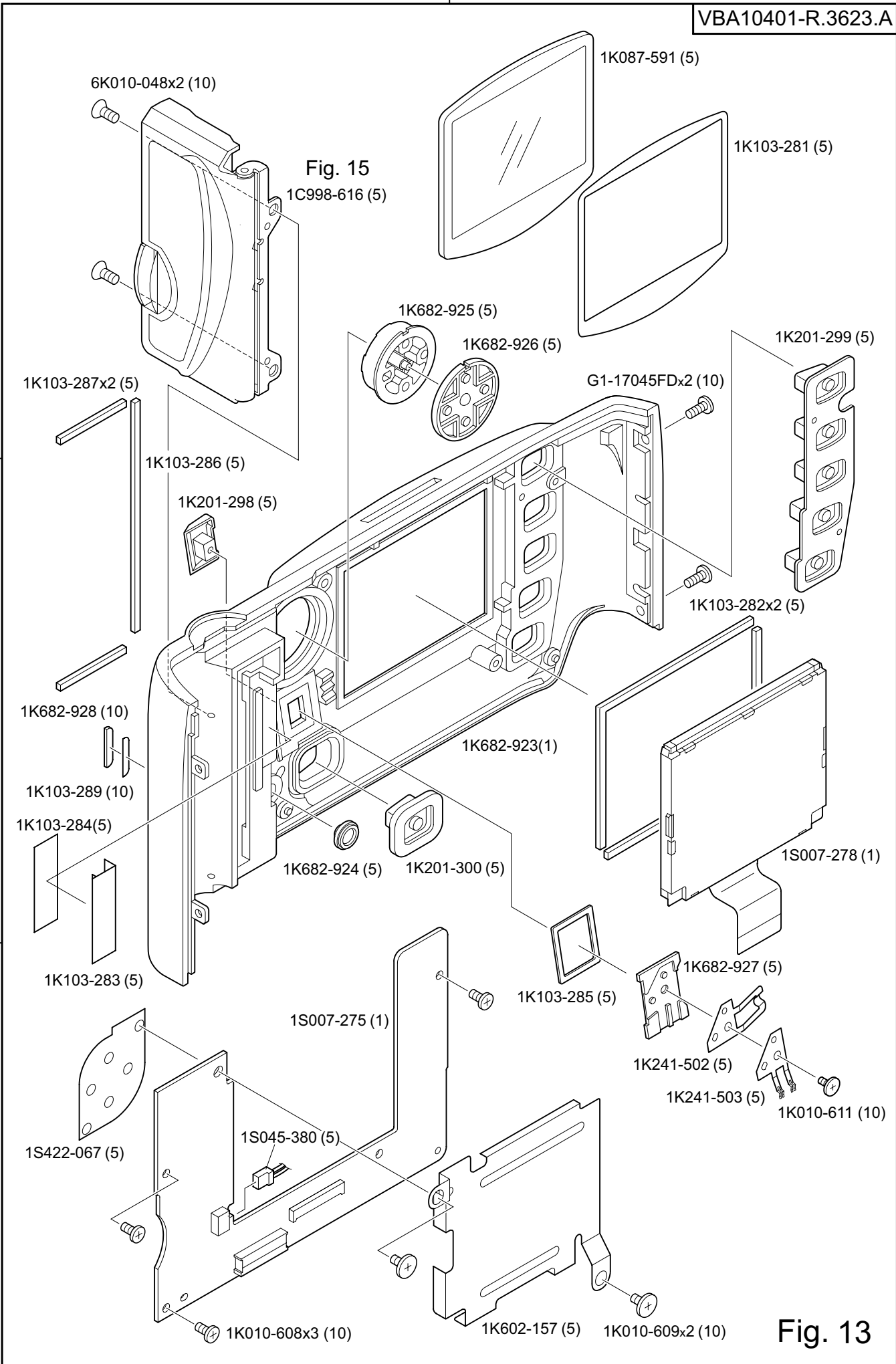


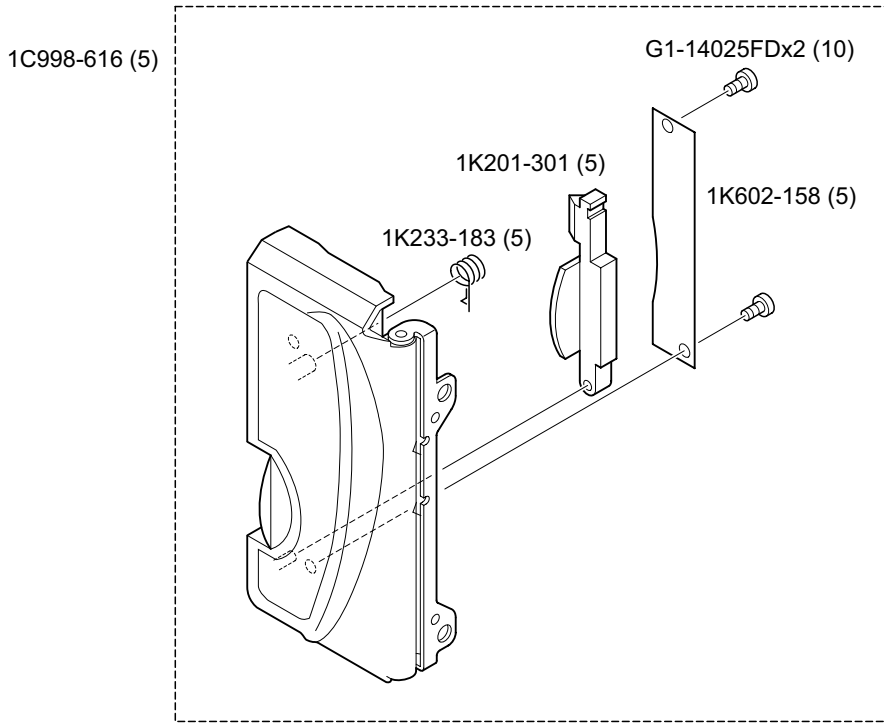
Fig. 13

A

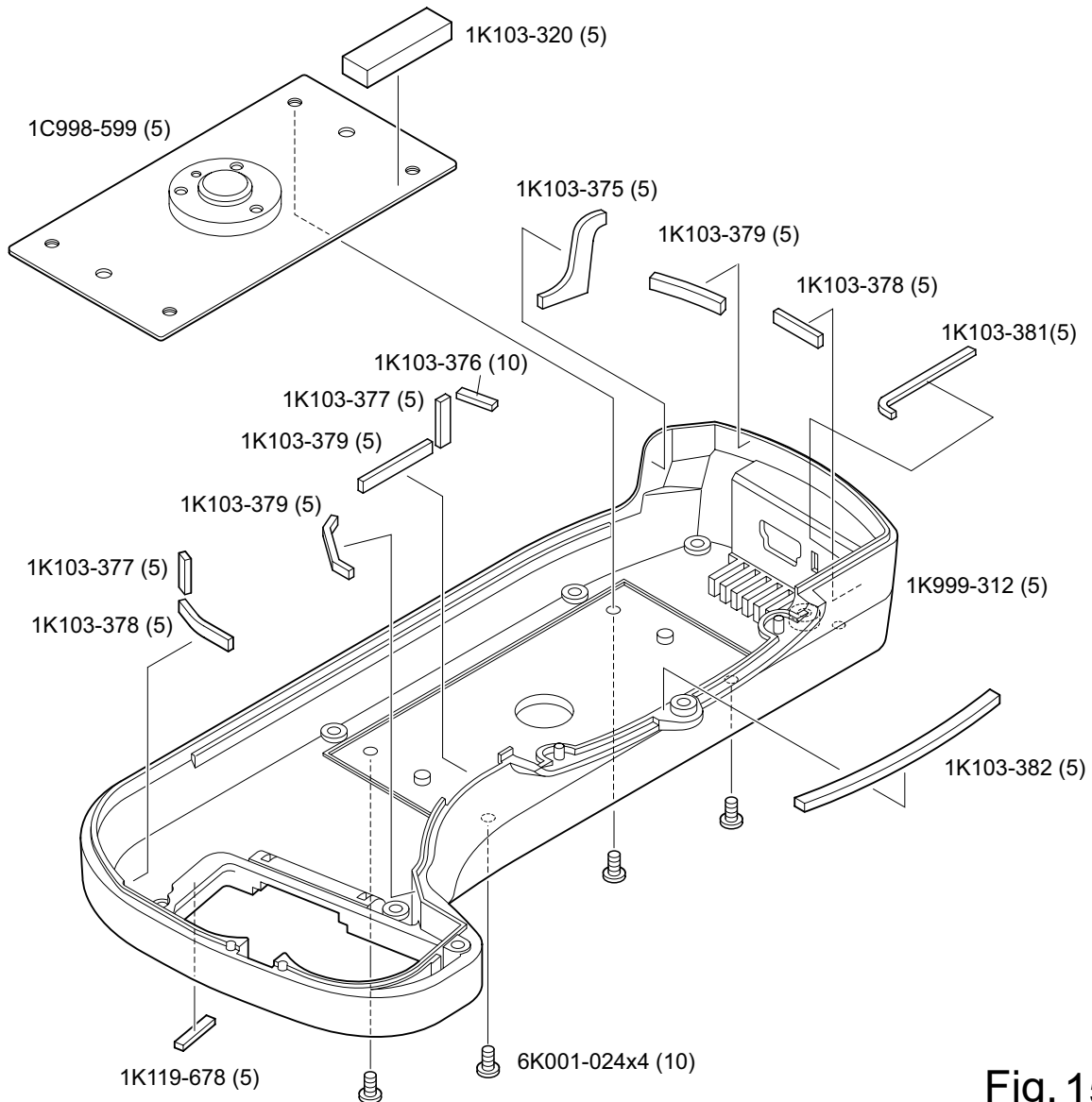
B

VBA10401-R.3623.A

1



2



3

Fig. 15